

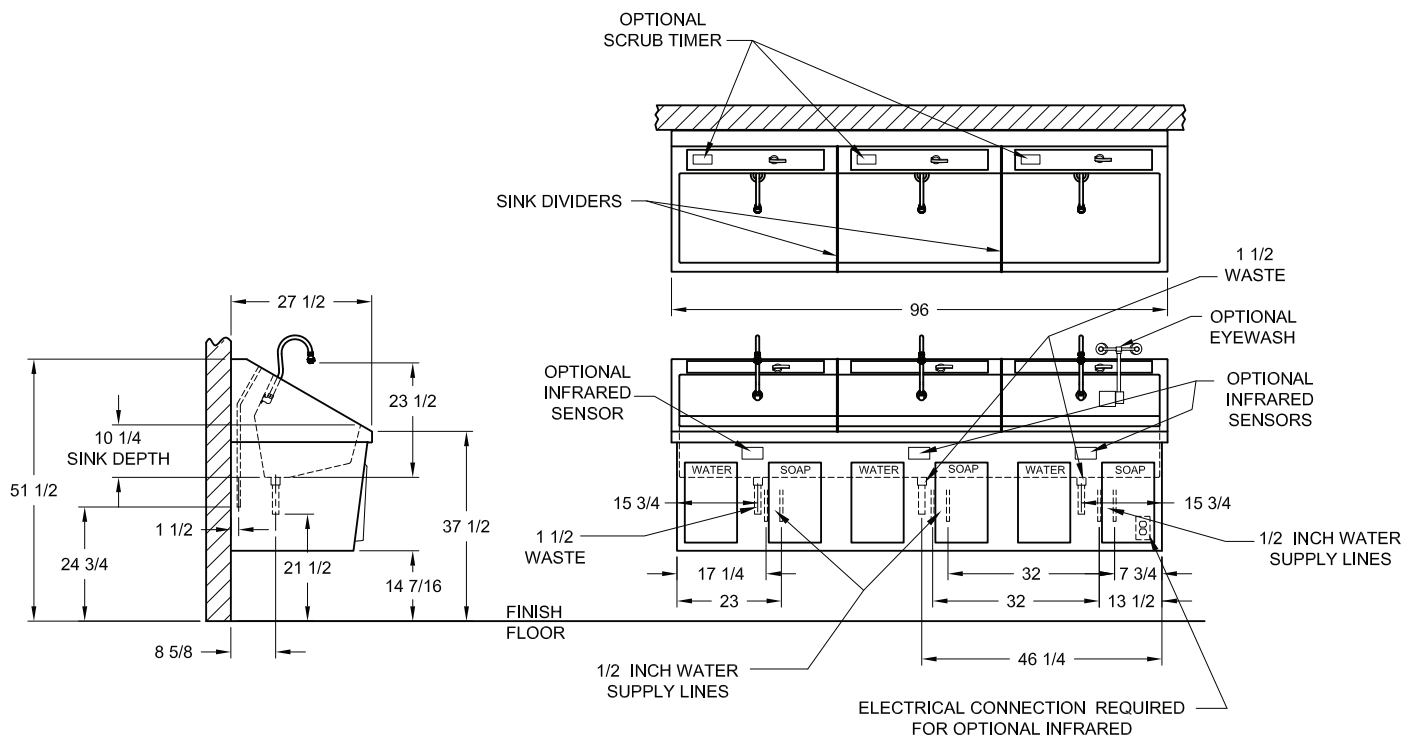
Surgical Scrub Sinks

SS-Series



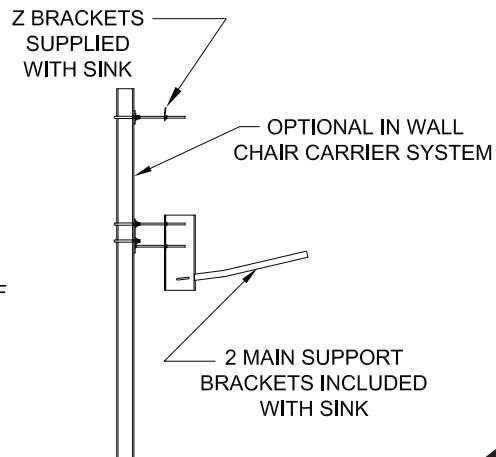
Model # SS96 (Triple Station)

DIMENSIONS



NOTES:

1. MATERIAL:
 - SINK BASIN; 14 GAUGE
304 STAINLESS STEEL
 - SINK SKIRT; 16 GAUGE
304 STAINLESS STEEL
2. ALL PLUMBING 1/2" COPPER OR BRASS PIPE. THE SINK WILL BE FURNISHED WITH IN LINE CHECK VALVES ON SUPPLY LINES.
3. UTILITY REQUIREMENT
 - COLD WATER 20 TO 50 PSIG 70 DEG F MAX
 - HOT WATER 20 TO 50 PSIG 120 DEG F TO 140 DEG F
4. POWER REQUIREMENTS (FOR SENSOR OPERATIONS)
 - 120 VAC, 60 Hz, SINGLE PHASE, 3.0 AMP OR
 - 220 VAC, 60 Hz, SINGLE PHASE, 1.5 AMP.
 - INSTALLED PER LOCAL BUILDING CODES.
5. NET WEIGHT OF SINK 320 LB.



Surgical Scrub Sinks

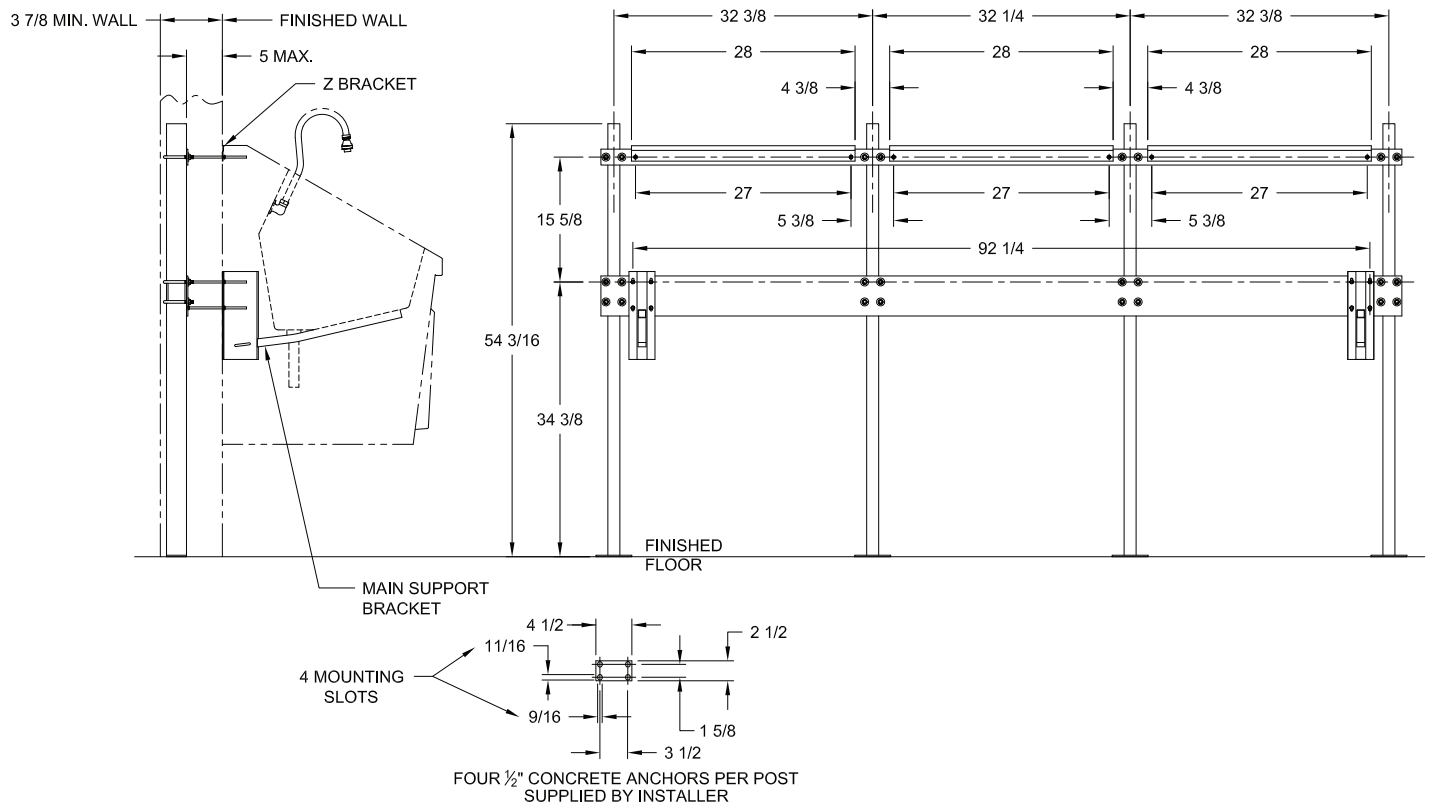
SS-Series



Model # SS96 (Triple Station)

with recommended optional In-Wall Chair Carrier System (S0003)

DIMENSIONS



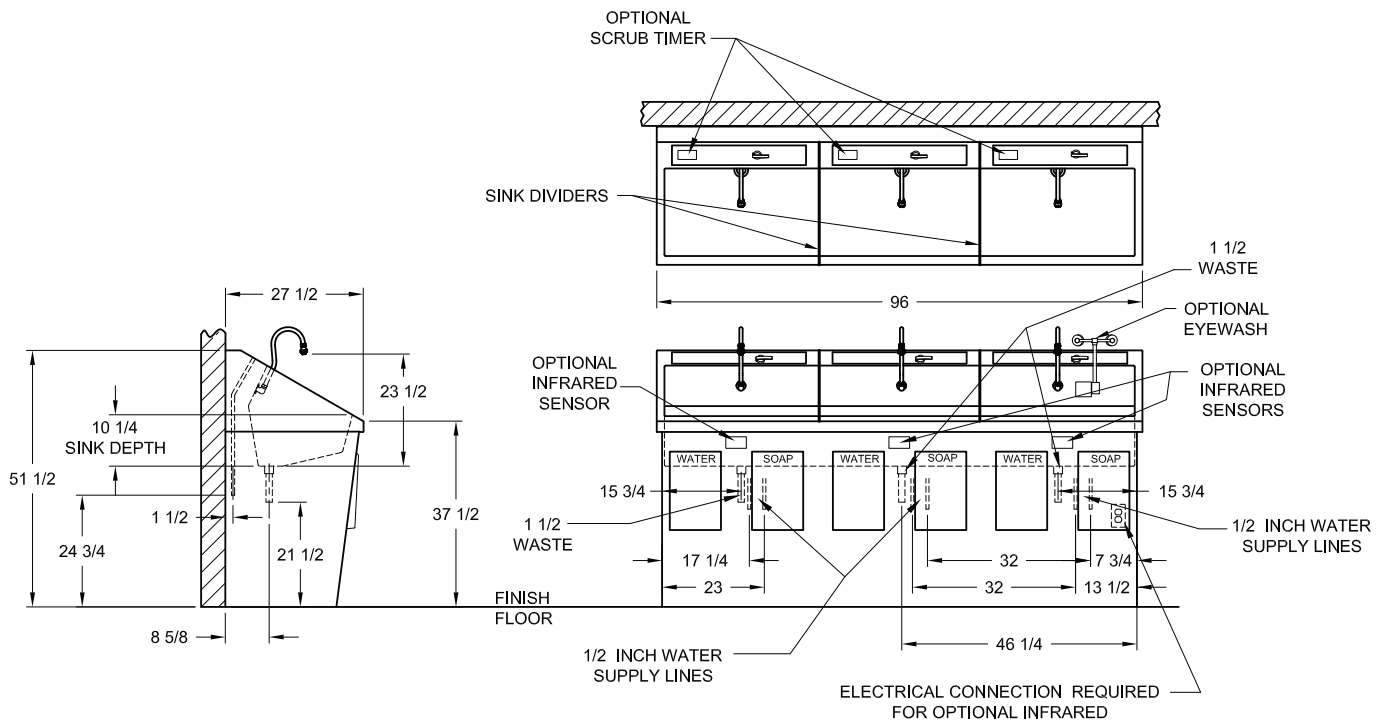
Surgical Scrub Sinks

SS-Series



Model # SS96-PB (Triple Station) with Pedestal Base

DIMENSIONS



NOTES:

1. MATERIAL:
 - SINK BASIN; 14 GAUGE
304 STAINLESS STEEL
 - SINK SKIRT; 16 GAUGE
304 STAINLESS STEEL
2. ALL PLUMBING 1/2" COPPER OR BRASS PIPE.
THE SINK WILL BE FURNISHED WITH IN LINE CHECK VALVES ON SUPPLY LINES.
3. UTILITY REQUIREMENT
 - COLD WATER 20 TO 50 PSIG 70 DEG F MAX
 - HOT WATER 20 TO 50 PSIG 120 DEG F TO 140 DEG F
4. POWER REQUIREMENTS (FOR SENSOR OPERATIONS)
 - 120 VAC, 60 Hz, SINGLE PHASE, 3.0 AMP OR
 - 220 VAC, 60 Hz, SINGLE PHASE, 1.5 AMP.
 - INSTALLED PER LOCAL BUILDING CODES.